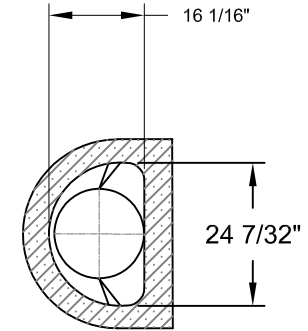
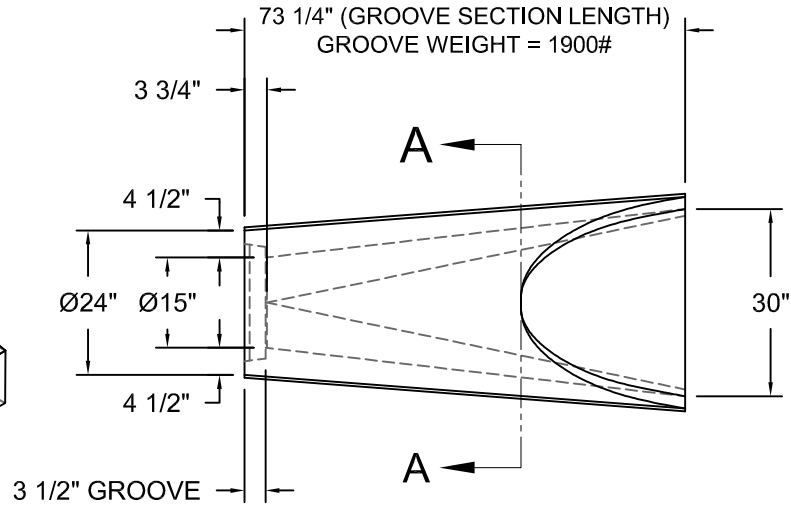
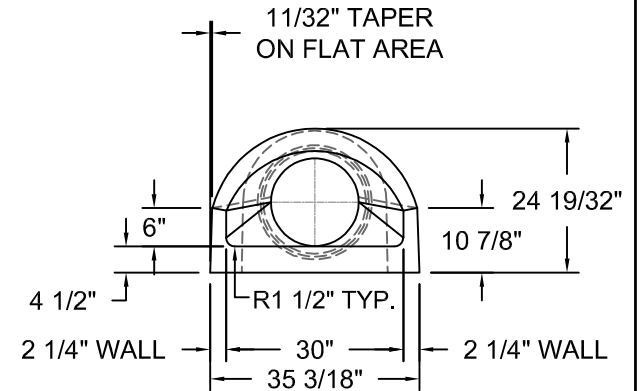
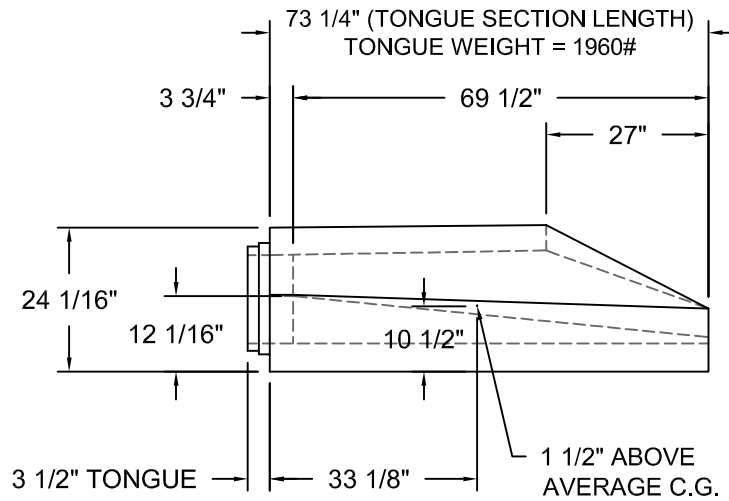
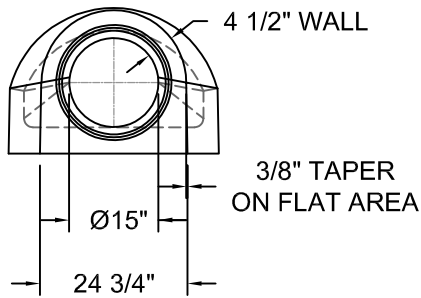


ISO VIEW



SECTION A-A



NOTE: PIPE JOINT IS PER HAWKEYE JOINT DRAWING 52029C.

1	UPDATED PER MARKUPS	BSW	12/06/21	ALI
REV.	DESCRIPTION	BY	MM/DD/YY	CHK'D

DIA. DET/RET SYSTEM
15" DIA. HORIZONTAL FLARE CONCRETE SECTION
DRAWING NUMBER:



4640 TRUEMAN BLVD
HILLIARD, OHIO 43026

DATE:	07/21/21
DRWN BY:	ALI
SCALE:	NTS
SHEET:	1 OF 1